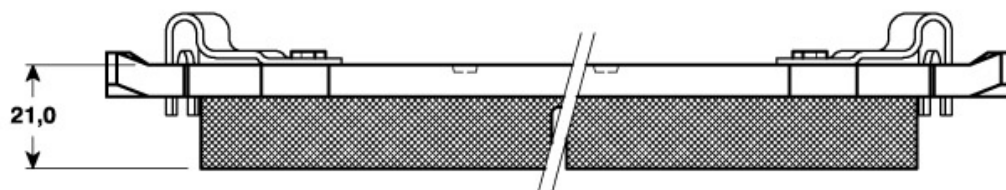
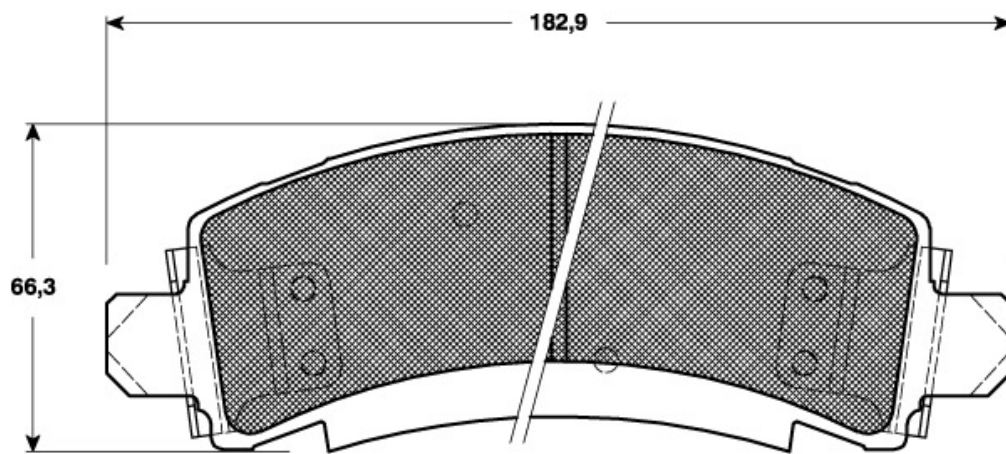
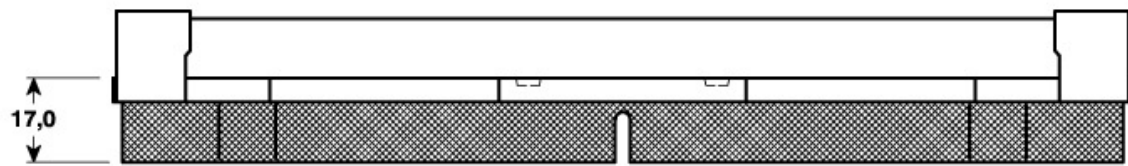
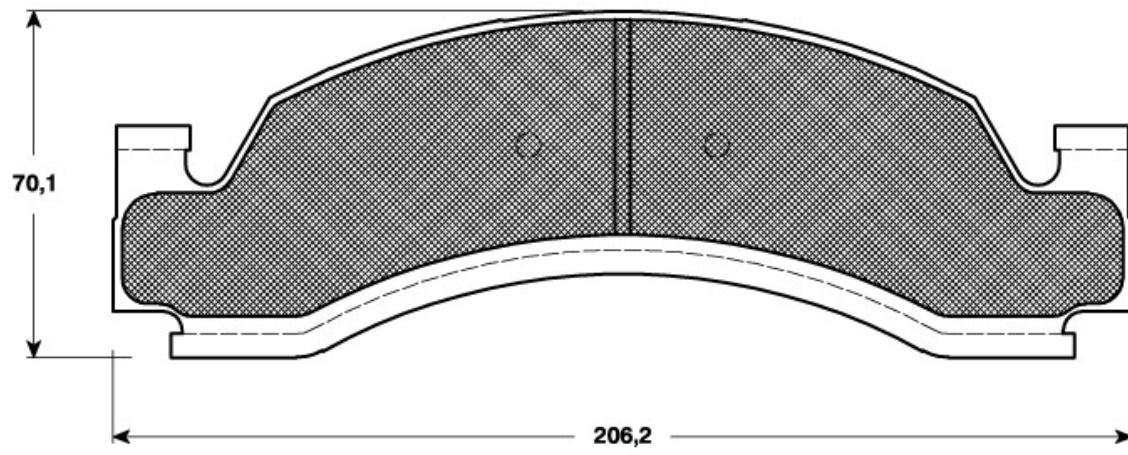


GDB7604



2 pads with sensor.

Scale: 3:4